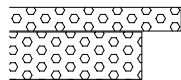
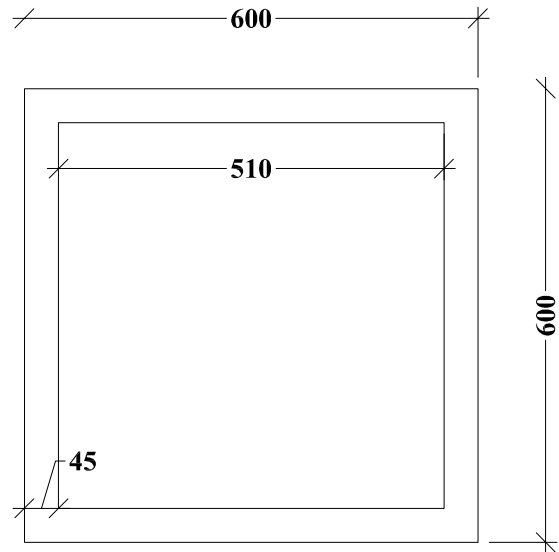


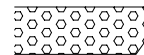
Access Panel Sixto 63 with the measurement of 508 x 508 mm



Edge A



Access Panel frame with the measurement of 600 x 600 mm




Edge B

Surface :	Gyptone Access Panel is supplied unpainted.
Design:	Gyptone Access Panel is based on a 12,5 mm thick Gyproc plasterboard. The Access Panel is perforated with hexagon pattern 11 mm, cc 20 mm. With each Access Panel, comes a frame, specially made to fit the Access Panel, with edge B
Technic:	The weight is approximately 5 kg/pcs. The Access Panel have a 6,5 mm plasterboard, glued to the back side

Perforation

**GYPTONE ACCESS PANEL SIXTO 63**

 <p>GYPROC A/S HARESKOVVEJ 12 4400 KALUNDBORG TLF. + 45 59 57 03 30 FAX. +45 59 57 03 01</p>	<p>Drawn by <b>JFP</b></p>	<p>Date <b>03.08.2010</b></p>	<p>Drawing No.  <b>APS63</b></p>
	<p>Measure <b>1:10</b></p>	<p>REV. DATO: <b>27.05.2013</b></p>	