

Gyptone® BIG™ ACCESS PANEL



Design and technique

Product description

Gyptone BIG Access Panel is fully integrated in the ceiling surface and allows for quick and easy access to technical installations.

Both hatch and frame are pure gypsum products and consist solely of recycled materials.

Surfaces

The surface consists of cardboard which should be painted, just like other plaster-board surfaces. The edges on hatches and frames must be painted with a very resilient paint to strengthen the edges. It is advantageous to use high gloss paint.

Construction height

When dismantling there must be a minimum distance of 35 mm between the bottom surface of the ceiling structure and the underlying fittings.

Fire resistance

A2-s1, d0

Sizes

Access Panel including frame = 600 x 600 mm
Opening measurement = 510 x 510 mm

Load

Gyptone BIG Access Panel must not be loaded.

Types

Gyptone Access Panels suit all Gyptone BIG products in modular size 1200 X 2400 mm:

- Gyptone BIG Line 6
- Gyptone BIG Quattro 41
- Gyptone BIG Quattro 42
- Gyptone BIG Quattro 46
- Gyptone BIG Quattro 47
- Gyptone BIG Quattro 71
- Gyptone BIG Sixto 63
- Gyptone BIG Base 31

Dimensional stability

Gyptone BIG Access Panels can be used in areas with a relative humidity not exceeding 70% for prolonged periods or temperatures exceeding 45°C.

Weight

Frame = 0.9 kg
Hatch = approx. 3.6 kg

Cleaning

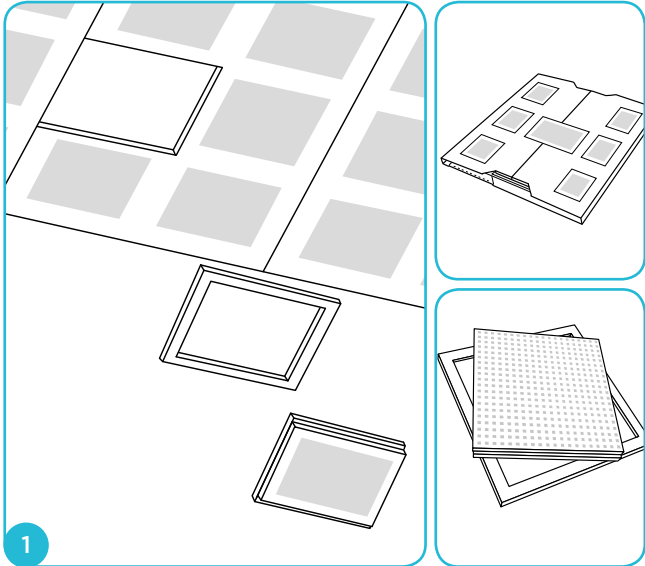
Can be cleaned with a damp cloth depending on the final surface treatment. Do not use detergents.

Maintenance

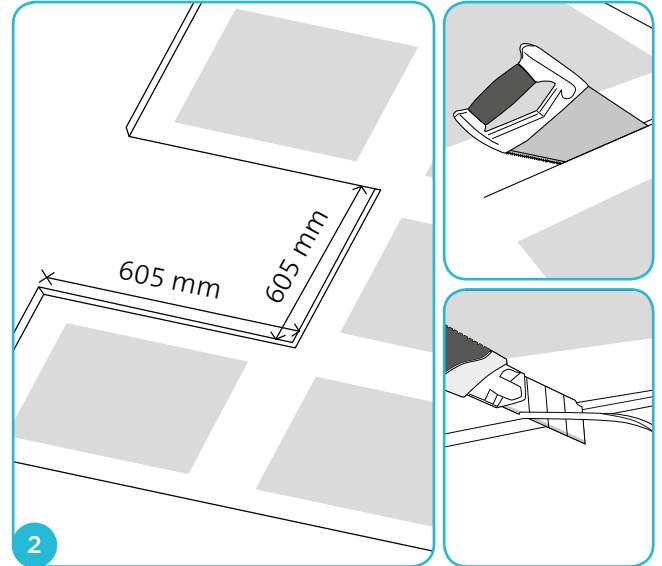
Small damages to edges or surfaces can be repaired with filler / paint.

Gyptone® BIG™ ACCESS PANEL

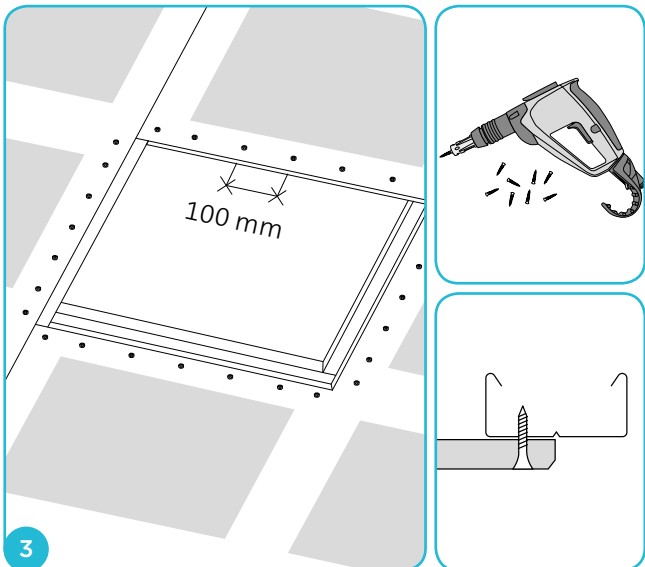
Installation manual



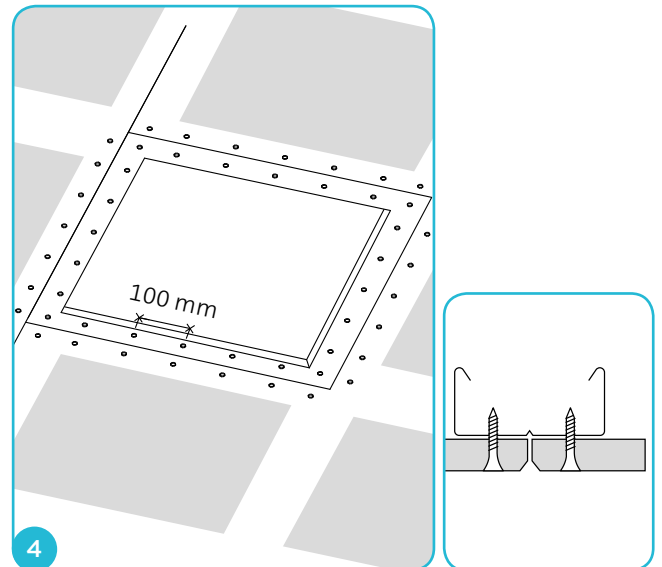
1
Gyptone BIG Access Panel is used in combination with the Gyptone BIG ceilings.



2
The measurements for the cut out to the frame are centred around a perforated area. The cut out is made with a delicate jagged saw / knife. All edges must be bevelled with a knife.



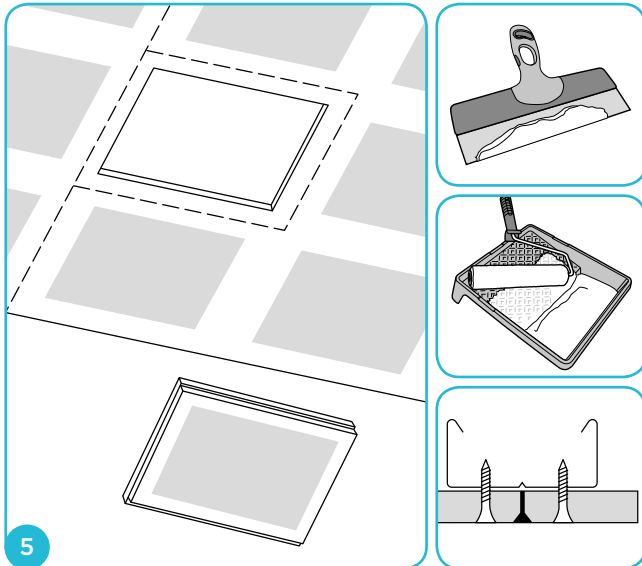
3
Fix the ceiling boards to the metal profiles. Screws are placed at a max. distance of 100 mm. There must be a stable base on all four sides. So an extra metal profile needs to be placed behind the ceiling board.



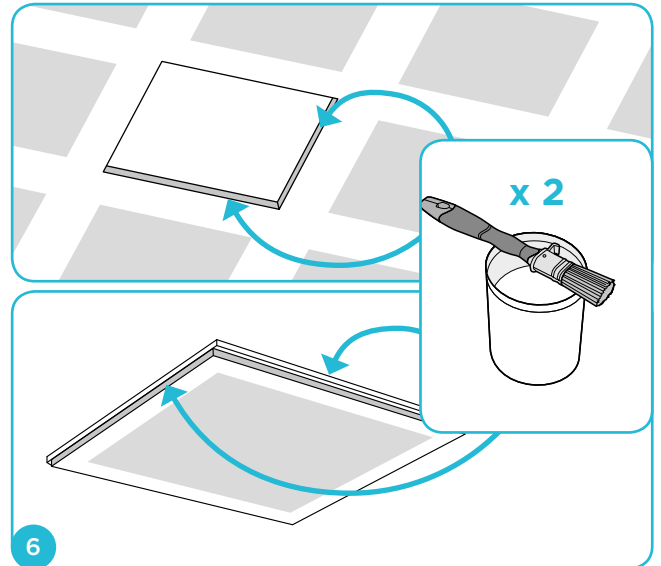
4
Carefully lift the frame into place and screw it into the metal profiles, max. distance cc 100 mm.

Gyptone® BIG™ ACCESS PANEL

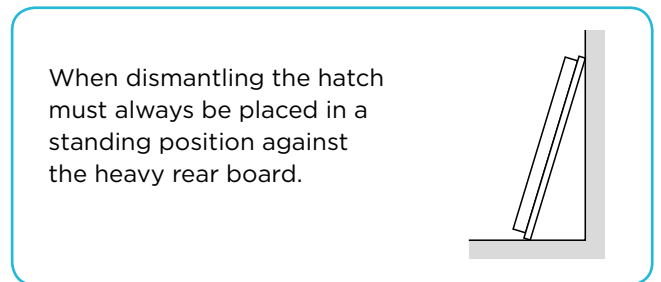
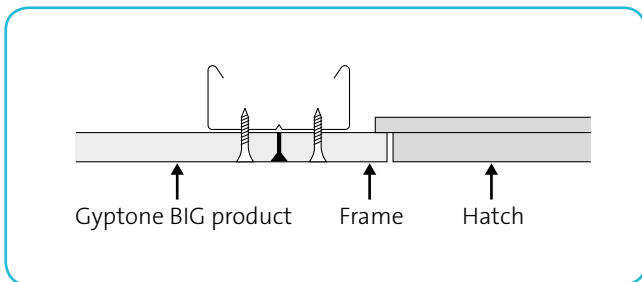
Installation manual



5 The ceiling is filled and painted. Note that the hatch should be painted / dried before installation in order to avoid sticking to other surfaces.



6 The vertical gypsum edges on the frame / hatch must be painted twice with an extra resilient paint to strengthen the edges. It is advantageous to use high gloss paint.



When dismantling the hatch must always be placed in a standing position against the heavy rear board.

SAINT-GOBAIN

Saint-Gobain Denmark A/S

Gyproc, Hareskovvej 12
4400 Kalundborg, Denmark
Tel. : +45 5957 0330
Fax: +45 5957 0331
e-mail: info@gyproc.dk
www.gyptone.com



ISO and OHSAS

Gyproc A/S has a quality management system, which is certified by BVQI Denmark A/A according to the demands in ISO 9001, 14001 and OHSAS 18001